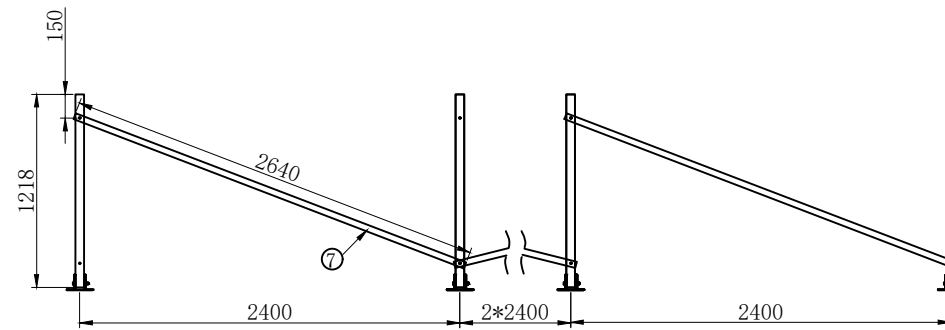
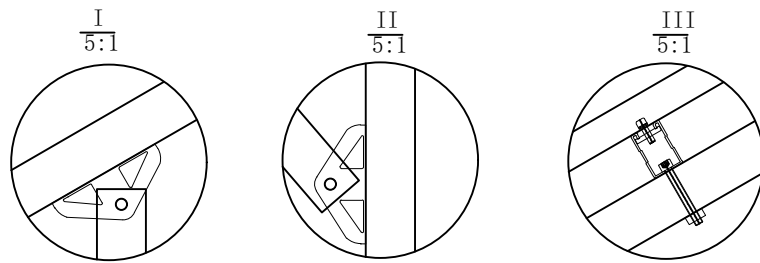
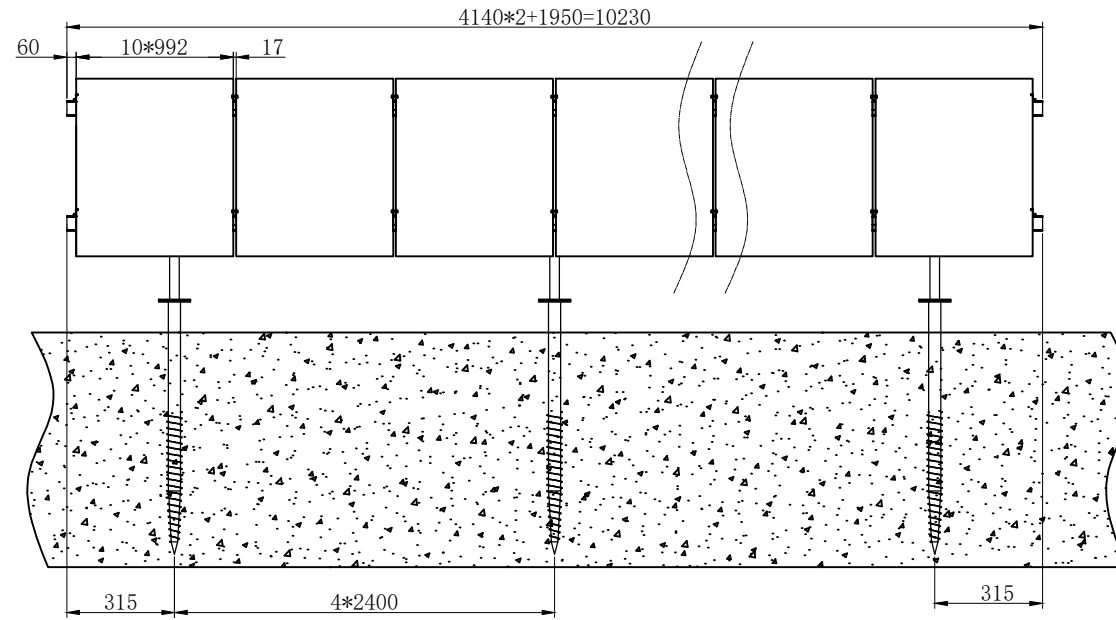
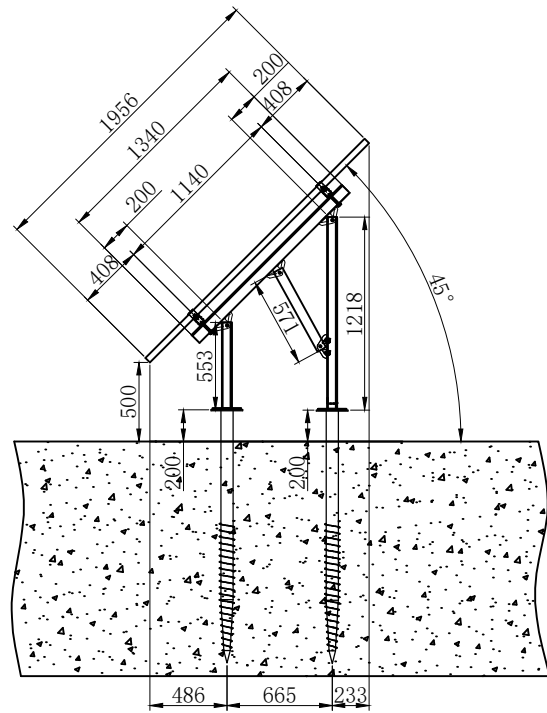


1x10x1



7	Ground Screw	φ76*1600	10	Q235B
6	Tube Support	L2640	4	AL/6005-T5
5	Mid Clamp(40mm)	L40	18	AL/6005-T5
4	End Clamp(40mm)	L40	4	AL/6005-T5
3	C rail connector	L200	4	Q235B
2	C Rail	L1950	2	Q235B
2	C Rail	L4140	4	Q235B
1	Cross Beam	L1340	5	Q235B
序号 Item	产品名称 Part Name	规格 Spec.	数量 Qty	材质 Material

Angle: 45°
 Wind Speed (m/s): 21.4m/s
 Snow Load (KN/m²): 90cm
 Panel Size: 1956*992*40
 Array: 1*10=10
 QTY: 1